

Student Name: _____	Grade: _____
Date: _____	Score: _____

- Answer the questions in the spaces provided on the question sheets.
- If you run out of room for an answer, continue on the back of the page.
- This test has 18 questions, for a total of 100 marks.
- Attempt all 18 questions.
- Time allowed: 45 minutes.

Page:	1	2	3	4	5	6	7	Total
Marks:	15	10	10	20	20	15	10	100
Score:								

This edition was printed on October 6, 2008.

Camera ready copy was prepared with the **L^AT_EX₂ ϵ** typesetting system.

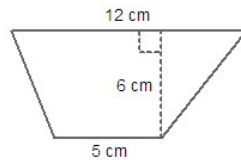
Copyright © 2000 - 2008 Yimin Math Centre (www.yiminmathcentre.com)

3 Year 8 Term 3 Test

Area of Special Quadrilaterals (1 through 3)

Question 1 (5 marks)

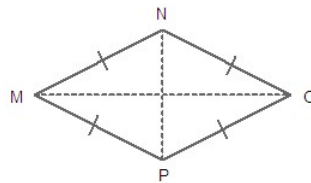
Find the area of the figure given below.



1. _____

Question 2 (5 marks)

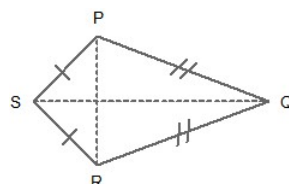
Find the area of the figure given below, if $MO = 22$ cm and $NP = 12$ cm.



2. _____

Question 3 (5 marks)

Find the area of the figure given below, if $PR = 12$ cm and $SQ = 18$ cm.

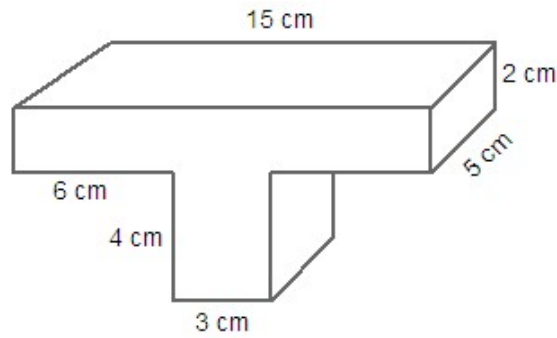


3. _____

Surface Area and Volume (4 through 5)

Question 4 (10 marks)

Find the surface area and volume of the figure given below:



(a) Surface area = ?

[5]

(a) _____

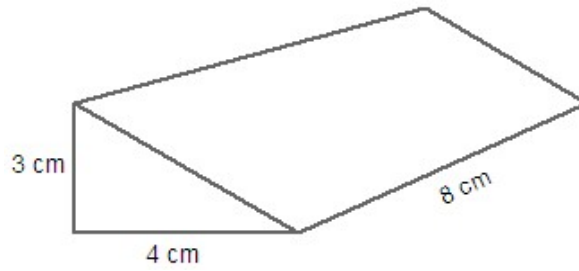
(b) Volume = ?

[5]

(b) _____

Question 5 (10 marks)

Find the surface area and volume of the figure given below:



(a) Surface area = ?

[5]

(a) _____

(b) Volume = ?

[5]

(b) _____

Equations (6 through 9)

Question 6 (5 marks)

$$8y + 3(4y - 7) = 259$$

6. _____

Question 7 (5 marks)

$$3(y - 5) = 5(2y + 4)$$

7. _____

Question 8 (5 marks)

$$\frac{6x-4}{3} = 2$$

8. _____

Question 9 (5 marks)

$$\frac{x-7}{3} - 1 = \frac{x-3}{4}$$

9. _____

Number Problems (10 through 13)

Question 10 (5 marks)

Seven more than nine times a number is equal to the number increased by 47. What is the number?

10. _____

Question 11 (5 marks)

The product of a certain number and 13 is decreased by 7. The result is 46. Find the number.

11. _____

Question 12 (5 marks)

The product of fourteen and some number is equal to the sum of that number and 26. What is the number?

12. _____

Question 13 (5 marks)

When the difference between a certain number and 18 is divided by 4, the result is 8. Find the number.

13. _____

Problem Solving (14 through 18)

Question 14 (5 marks)

A TV quiz has twenty questions with eight points awarded for each correct answer, two points deducted for each wrong answer. Bob scores 120 points. How many questions did he answered incorrectly?

14. _____

Question 15 (5 marks)

For every 12 red marbles in a bag there are 7 blue marbles and for every 5 blue marbles there are 6 green marbles. If there are 28 green marbles, how many red marbles are there?

15. _____

Question 16 (5 marks)

The length of a rectangle is three times the width, and the area is 75 cm^2 . What is the perimeter of the rectangle?

16. _____

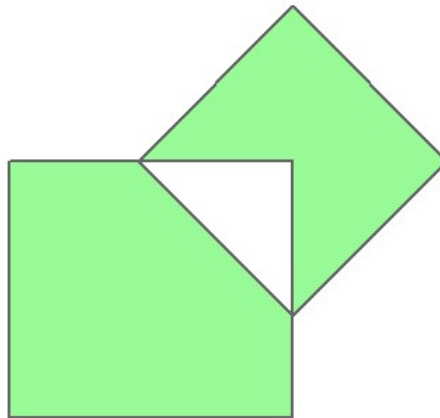
Question 17 (5 marks)

A bank teller notices that he has 50 coins all of which are 20-cents or 50-cents coins. He finds that the value of the coins is \$18.40. How many of each type?

17. _____

Question 18 (5 marks)

In the figure shown below, $\frac{3}{4}$ of the small square is shaded and $\frac{5}{6}$ of the larger square is shaded. What is the ratio of the shaded area of the smaller square to the shaded area of the larger square?



18. _____